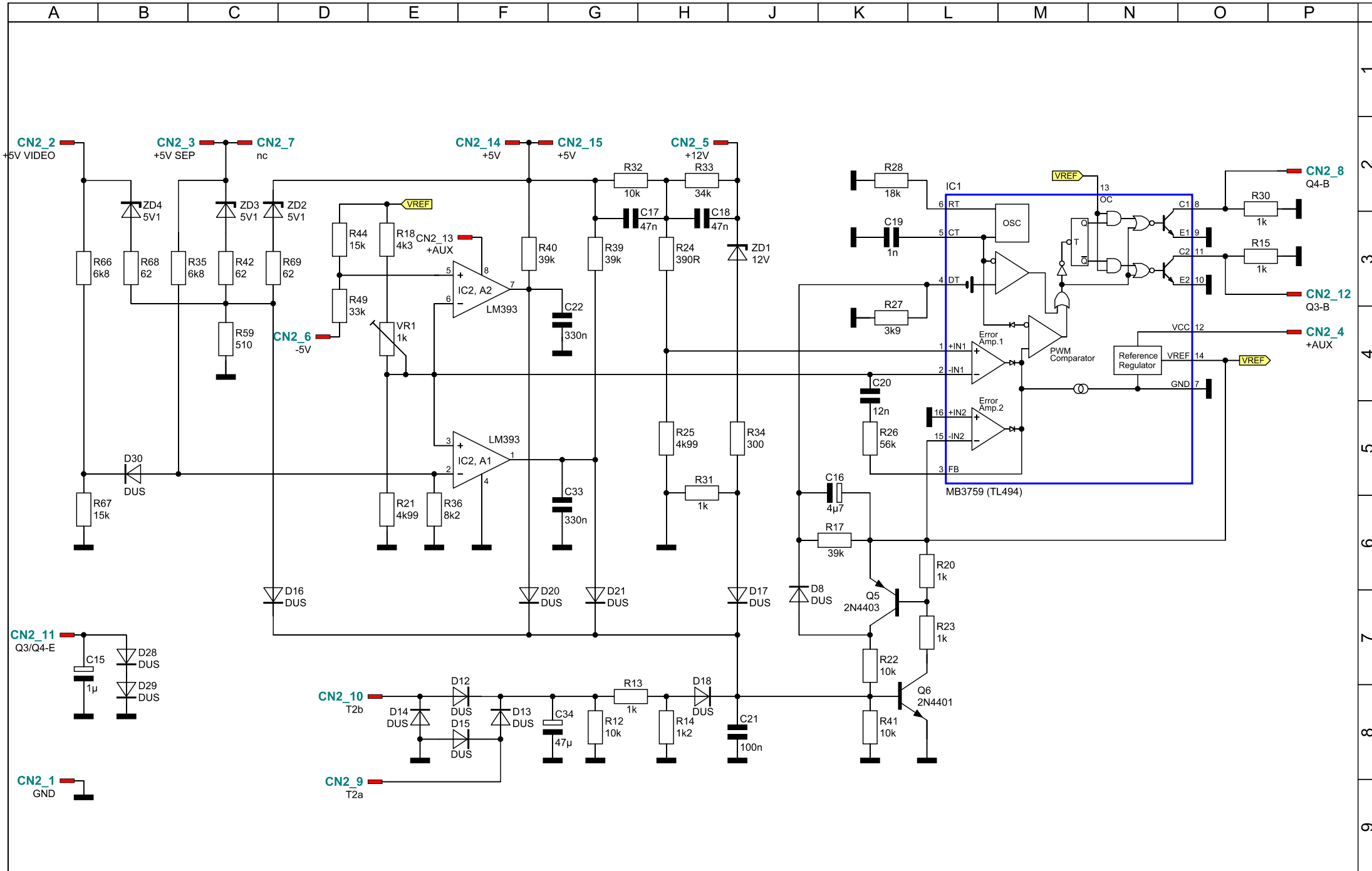


changes		date	name	title	MODEL NO. PE-5161-1	page
date	name	sign.	March 2nd, 2005	Raymond Raven	INPUT 240V~ 2A 50Hz	1
		prov.			OUTPUT 5Vdc(17.25A) 12Vdc(3A) 5Vdc(USER)/0.75A 5Vdc(VIDEO)/0.75A -5Vdc/0.2A -12Vdc/0.3A	of
		norm			DC OUTPUT 135W	2
				drawing no. PB-5161-1-1		

Switch Mode Power Supply
TAIWAN LITON ELECTRONIC CO., LTD.

INPUT	240V~ 2A	50Hz
OUTPUT	5Vdc(17.25A) 5Vdc(USER)/0.75A -5Vdc/0.2A	12Vdc(3A) 5Vdc(VIDEO)/0.75A -12Vdc/0.3A
DC OUTPUT	135W	



changes		date	name	title	MODEL NO. PE-5161-1		page
date	name	sign.	March 3rd, 2005		Raymond Raven	INPUT	240V~ 2A
		prov.			OUTPUT	5Vdc/17.25A	12Vdc/3A
		norm				5Vdc(USER)/0.75A	5Vdc(VIDEO)/0.75A
						-5Vdc/0.2A	-12Vdc/0.3A
				drawing no.	PB-5161-2 REV B		of
					DC OUTPUT	135W	2